

FIG. 3 AIR HOSE ASSY. 28-31

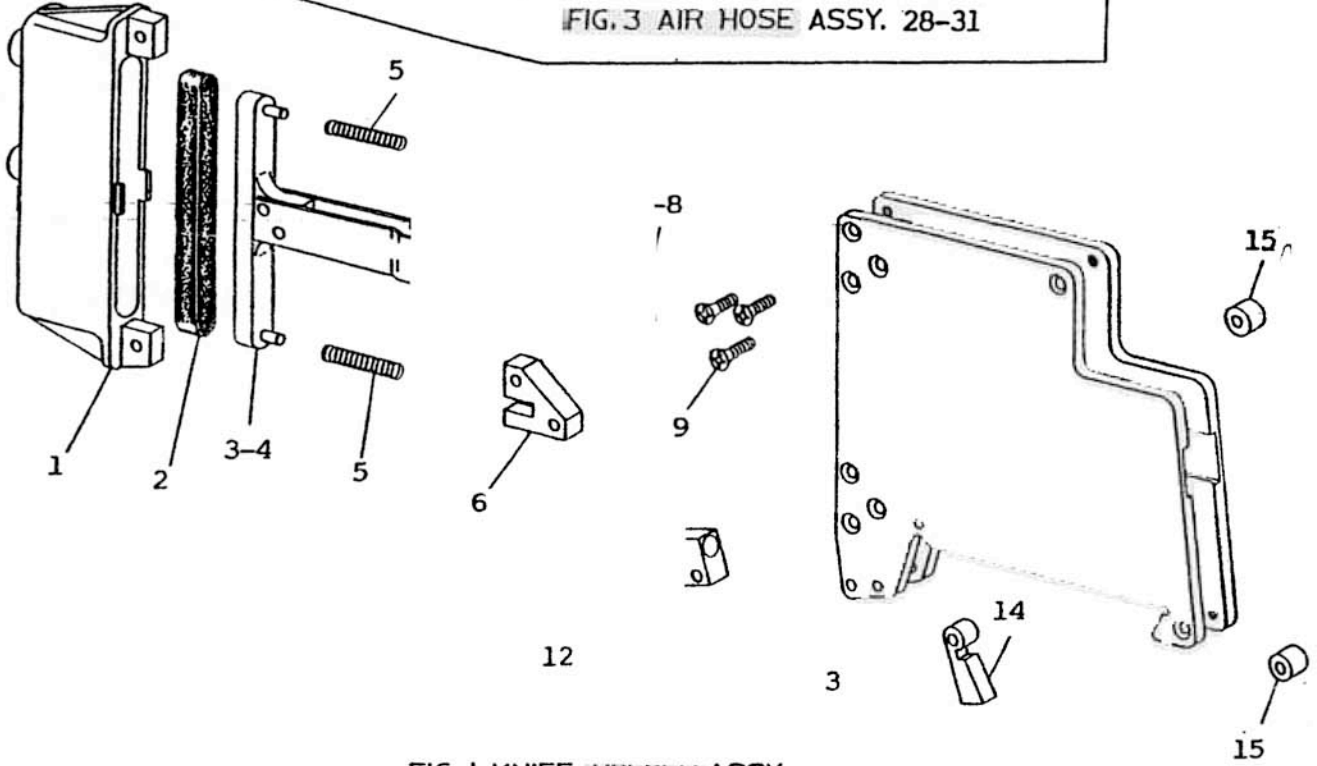


FIG. 1 KNIFE HOLDER ASSY.

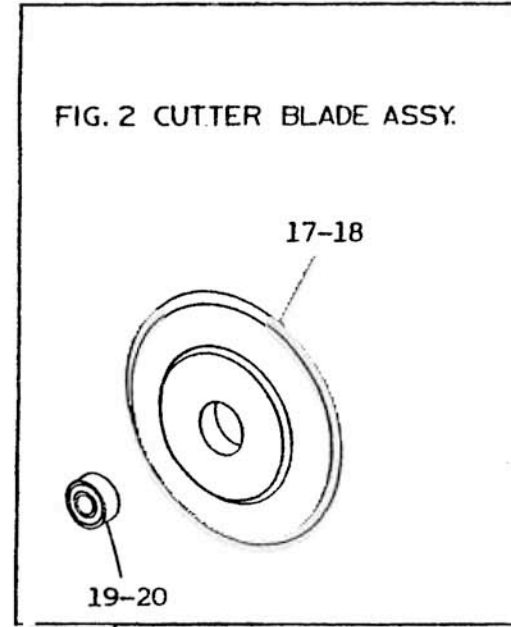


FIG. 2 CUTTER BLADE ASSY.

OD Core Cutter